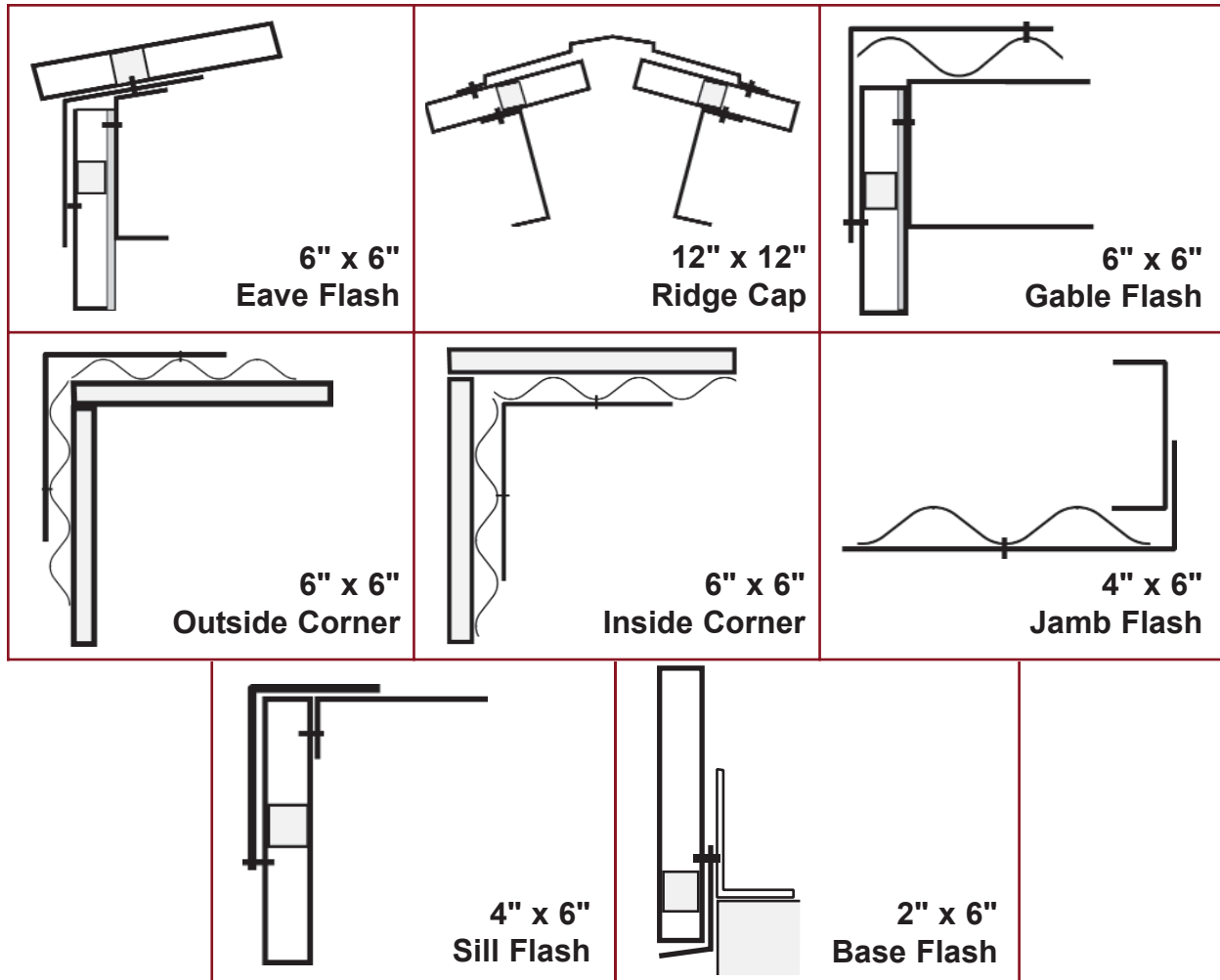


STANDARD FLASHINGS



Flashing Details:

- Standard length: 10' 0".
- Flashings have a smooth finish on both sides.
- Fasten flashings a maximum of 15" on center. Minimum 4" end lap for siding, 6" end lap for roofing.